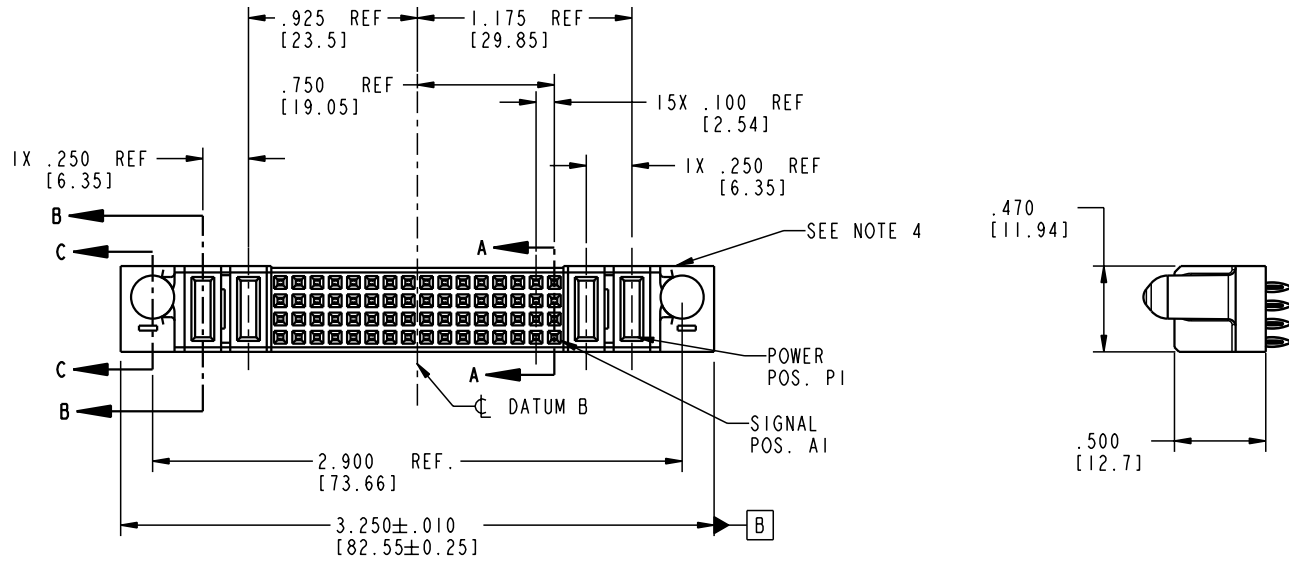


Tous droits strictement reserves. Reproduction ou communication a des tiers interdite sous quelque forme que ce soit sans autorisation écrite du propriétaire. Propriété de c FCI. Droits de reproduction FCI.



All rights strictly reserved. Reproduction or issue to third parties in any form whatsoever is not permitted without written authority from the proprietor. Property of FCI. Copyright FCI.

PRODUCT NO.	ROWS	POWER			SIGNAL																POWER		
		E2	P4	P3	16	15	14	13	12	11	10	9	8	7	6	5	4	3	2	1	P2	P1	E1
51750-042	D C B A		PC	PF	F	F	F	F	F	F	F	F	F	F	F	F	F	F	F	F	PF	PC	



CODE	DIM "M" MATING LENGTH	CONTACT TYPE
F	N/A [N/A]	SIGNAL
PC	.042 [1.07]	POWER
PF	.092 [2.34]	POWER

mat'l code	SEE NOTE 2			tolerances unless otherwise specified	CUSTOMER	
l/r	ecm no.	dr	date	linear	XX ± .01 / 0.X ± 0.3	COPY
A	V03-0094	TAB	01/23/03		.XXX ± .005 / 0.XX ± 0.13	projection
B	V03-0185	MEM	2/12/03	angles	.XXX ± .0020 / 0.XXX ± 0.051	INCH/MM
				dr	T. BRUNGARD	01/23/03
				enr	M. MOSTOLLER	01/23/03
				chr	M. MOSTOLLER	01/23/03
				appd	M. MOSTOLLER	01/23/03

sheet index	revision	B	B	B	B					
	sheet	1	2	3	4					

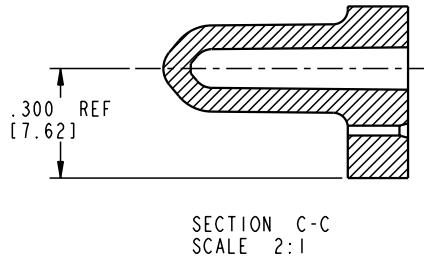
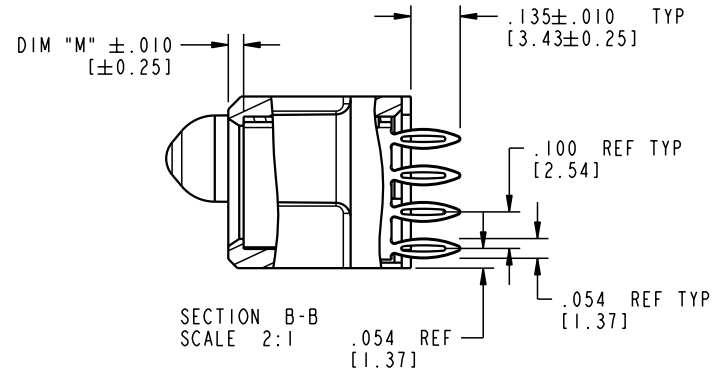
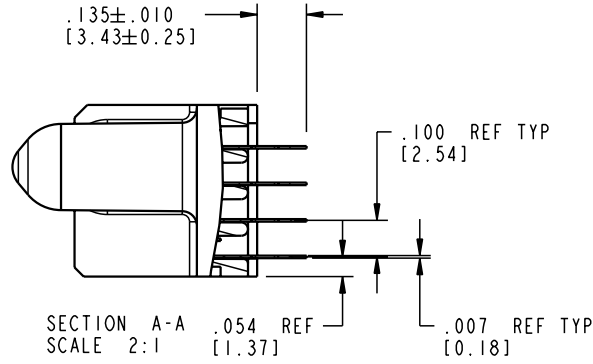
A FCI www.fciconnect.com	
title	2P + 64S + 2P VERTICAL PRESS-FIT RECEPT
product family	PwrBlade
size	A
dwg no	51750-042
code	213
sheet	1 of 4


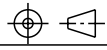
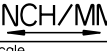
scale 1:1
cage code 22526

Tous droits strictement reserves. Reproduction ou communication a des tiers interdite sous quelque forme que ce soit sans autorisation écrite du propriétaire. Propriete de c FCI. Droits de reproduction FCI.

All rights strictly reserved. Reproduction or issue to third parties in any form whatever is not permitted without written authority from the proprietor. Property of FCI. Copyright FCI.

PRODUCT NUMBER
51750-042



mat'l code		SEE NOTE 2		tolerances unless otherwise specified		CUSTOMER		 www.fciconnect.com	
lfr	ecn no.	dr	date	linear	$XX \pm .01 / 0.X \pm 0.3$ $.XXX \pm .005 / 0.XX \pm 0.13$ $.XXX \pm .0020 / 0.XXX \pm 0.051$	COPY	projection		
B				angles	$0^\circ \pm 2^\circ$			2P + 64S + 2P VERTICAL PRESS-FIT RECEPT	
				dr	T. BRUNGARD 01/23/03	INCH/MM	product family	PwrBlade	code
				enr	M. MOSTOLLER 01/23/03	scale	size	dwg no	213
				chr	M. MOSTOLLER 01/23/03	1:1	A	51750-042	sheet
				appd	M. MOSTOLLER 01/23/03				2 of 4
sheet index	revision sheet								

Pro/E

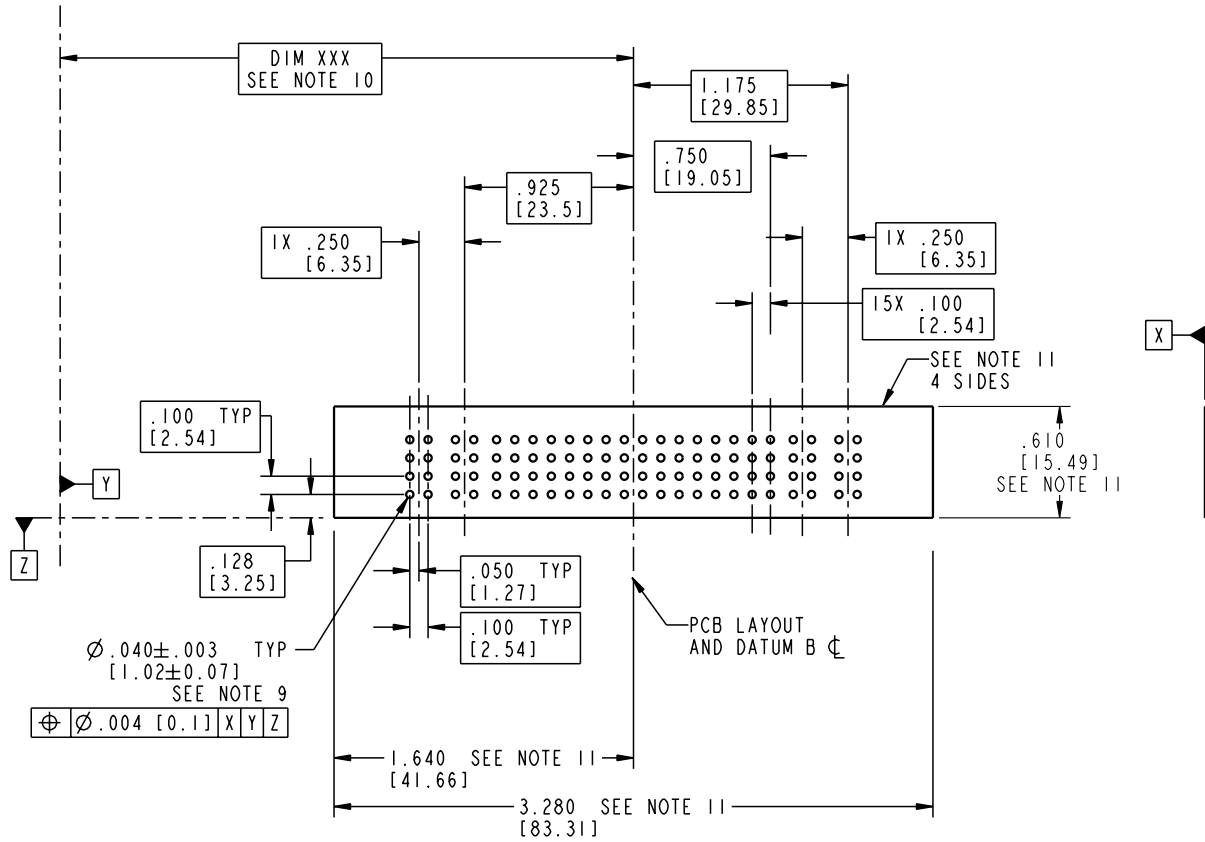
cage code 22526

Tous droits strictement reserves. Reproduction ou communication a des tiers interdite sous quelque forme que ce soit sans autorisation écrite du propriétaire. Propriete de c FCI. Droits de reproduction FCI.

FCI

All rights strictly reserved. Reproduction or issue to third parties in any form whatsoever is not permitted without written authority from the proprietor. Property of FCI. Copyright FCI.

PRODUCT NUMBER
51750-042



mat'l code		SEE NOTE 2		tolerances unless otherwise specified		CUSTOMER		FCI www.fciconnect.com	
lfr	ecn no.	dr	date	linear	$XX \pm .01 / 0.X \pm 0.3$	COPY		title	
B				angles	$.XXX \pm .005 / 0.XX \pm 0.13$	projection		2P + 64S + 2P	
				dr	$XXX \pm .0020 / 0.XXX \pm 0.051$	INCH/MM		VERTICAL PRESS-FIT RECEPT	
				enr	$0^{\circ} \pm 2^{\circ}$	scale		product family	
				chr	T. BRUNGARD 01/23/03	1:1		PwrBlade	
				appd	M. MOSTOLLER 01/23/03			code	
					M. MOSTOLLER 01/23/03			213	
sheet index	revision sheet							size	
								dwg no	
								51750-042	
								sheet	
								3 of 4	

Pro/E

code code
22526

Tous droits strictement reserves. Reproduction ou communication a des tiers interdite sous quelque forme que ce soit sans autorisation écrite du propriétaire. Propriete de c FCI. Droits de reproduction FCI.

FCI

All rights strictly reserved. Reproduction or issue to third parties in any form whatsoever is not permitted without written authority from the proprietor. Property of FCI. Copyright FCI.

PRODUCT NUMBER

51750-042

NOTES:

1. DIMENSIONS AND TOLERANCES ARE IN ACCORDANCE WITH ASME Y14.5M, 1994 UNLESS OTHERWISE SPECIFIED.

CONNECTOR NOTES:

- 2 HOUSING MATERIAL: UL 94 V-0 GLASS FILLED HIGH-TEMP THERMOPLASTIC
POWER CONTACT MATERIAL: COPPER ALLOY
SIGNAL PIN MATERIAL: COPPER ALLOY
- 3. PLATING:
SIGNAL PINS: 30u"/0.76um Au OVER 50u"/1.27um Ni
POWER CONTACTS: 50u"/1.27um Ni UNDER ALL WITH 30u"/0.76um Au ON CONTACT AREA AND SnPb ON PCB INTERFACE
- 4 MANUFACTURER'S NAME, P/N, AND DATE CODE TO APPEAR ON THIS SURFACE.
- 5. PRODUCT SPECIFICATION GS-12-149.
APPLICATION SPECIFICATION BUS-20-067.
- 6. PACKAGED IN TRAYS.
- PCB NOTES:
- 7. ALL HOLE DIAMETERS ARE FINISHED HOLE SIZE.
- 8 MOUNTING HOLES, WHERE APPLICABLE, ARE UNPLATED.
- 9 $\varnothing .0453 \pm .0010$ [1.151 \pm 0.025] DRILLED HOLES PLATED WITH .0003 [0.008] MIN SnPb OVER .001 [0.03] TO .003 [0.08] Cu PLATING TO ACHIEVE $\varnothing .040 \pm .003$ [1.02 \pm .07] HOLE.
- 10 "DIM XXX" TO BE DETERMINED BY THE CUSTOMER.
- 11 CONNECTOR KEEP-OUT ZONE.

mat'l code		SEE NOTE 2		tolerances unless otherwise specified		CUSTOMER		FCI www.fciconnect.com	
lfr	ecr no.	dr	date	linear	XX ± .01 / 0.X ± 0.3	COPY		projection	
B					.XXX ± .005 / 0.XX ± 0.13	INCH/MM		title 2P + 64S + 2P	
				angles	.XXX ± .0020 / 0.XXX ± 0.051	scale 1:1		VERTICAL PRESS-FIT RECEIPT	
				dr	T. BRUNGARD 01/23/03	product family		PwrBlade code	
				enrg	M. MOSTOLLER 01/23/03	size		dwg no 213	
				chr	M. MOSTOLLER 01/23/03	A		sheet 4 of 4	
				appd	M. MOSTOLLER 01/23/03	51750-042			
sheet index	revision sheet								

1 | 2

Pro/E

3 |

cage code 22526

4